

BTF1-10AA



BarnOne frame with Analog Audio to MADi Interface and MADi-Router with single channel routing

Solutions from Barnfind Technologies AS

September
2018

Barnfind Technologies

The BarnOne BTF1-10AA with its integrated analog audio interfaces has had great adoption in the market since its launch. Offering 8 high-end AD/DA MADi converters, 4 bi-directional MADi interfaces between the BarnOne's main matrix and the audio board combined with an integrated 264/264 audio router make the BTF1-10AA a powerful and flexible solution for converting and transporting analog audio signals.

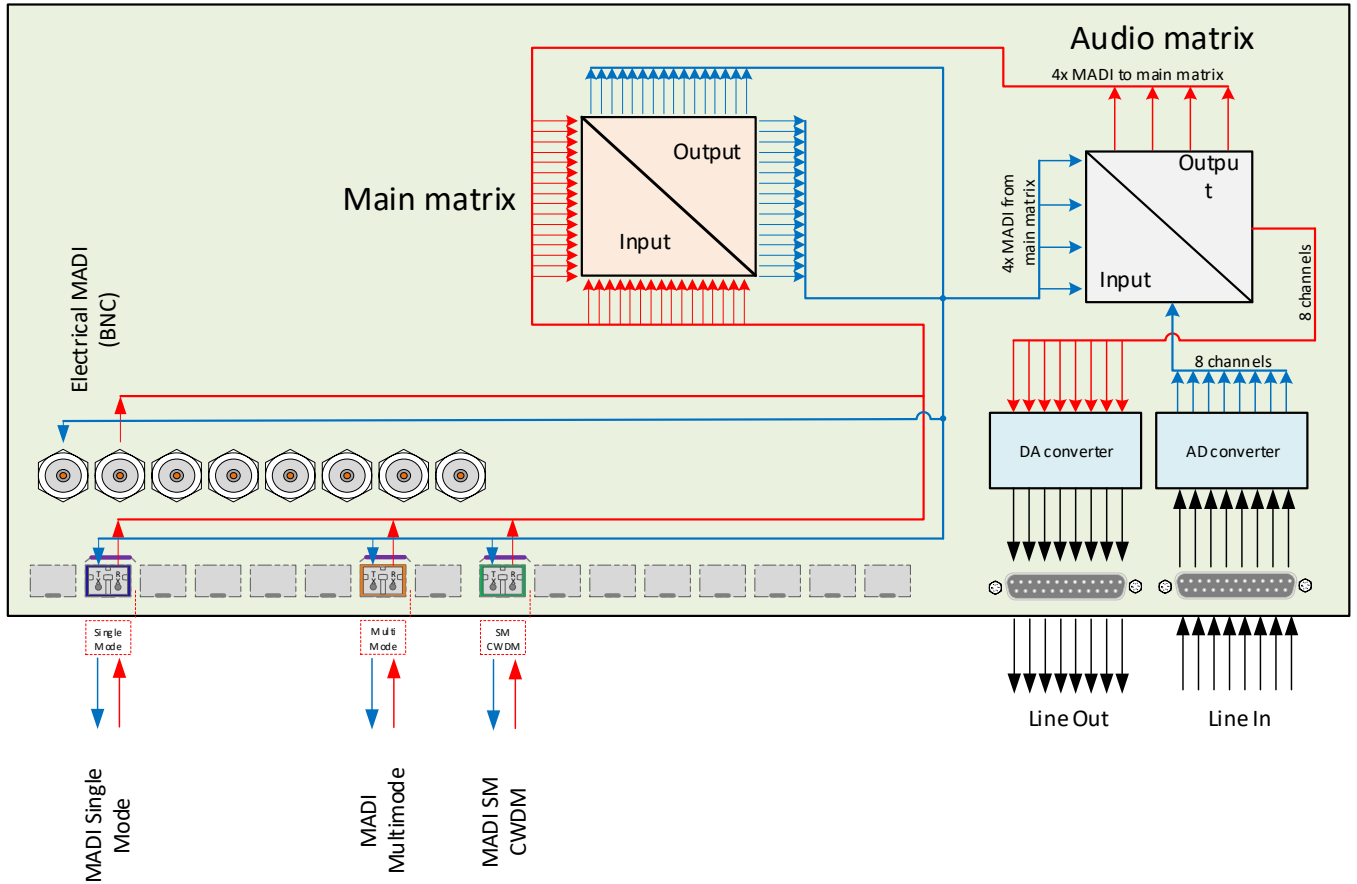
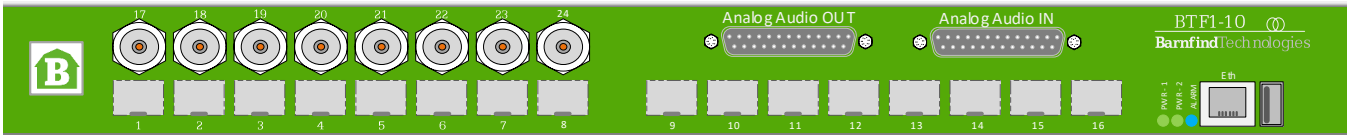


BarnOne Functionalities

- 16 SFP ports for transceivers
- 8 BNC ports for SDI, ASI, MADi or AES configurable as input or output
- 28 x 28 cross point matrix
- Automatic redundancy change over for each output
- Reclocker for each output
- Control by web UI, BarnStudio or 3rd party control interfaces

Additional Functionalities of Audio Board

- 8x balanced analog line level inputs, individually configurable +18dBu/+24dBu
- 8x balanced analog line level outputs, individually configurable +18dBu/+24dBu
- High-end AD/DA converters
- 264x264 audio matrix for 8x analog interface and 4x MADi, allows single channel routing for each MADi stream
- Sampling rates: 44.1/48kHz @1FS, 2FS supporting 96kHz operation
- Synchronisation to one of the MADi ports or internally



8 channels of balanced analog line level audio are converted to digital audio. Via the 264x264 audio matrix the signals can be distributed to random channels of 4 MADI streams. Input sensitivity of each analog channel is configured to +18dBu or +24dBu individually.

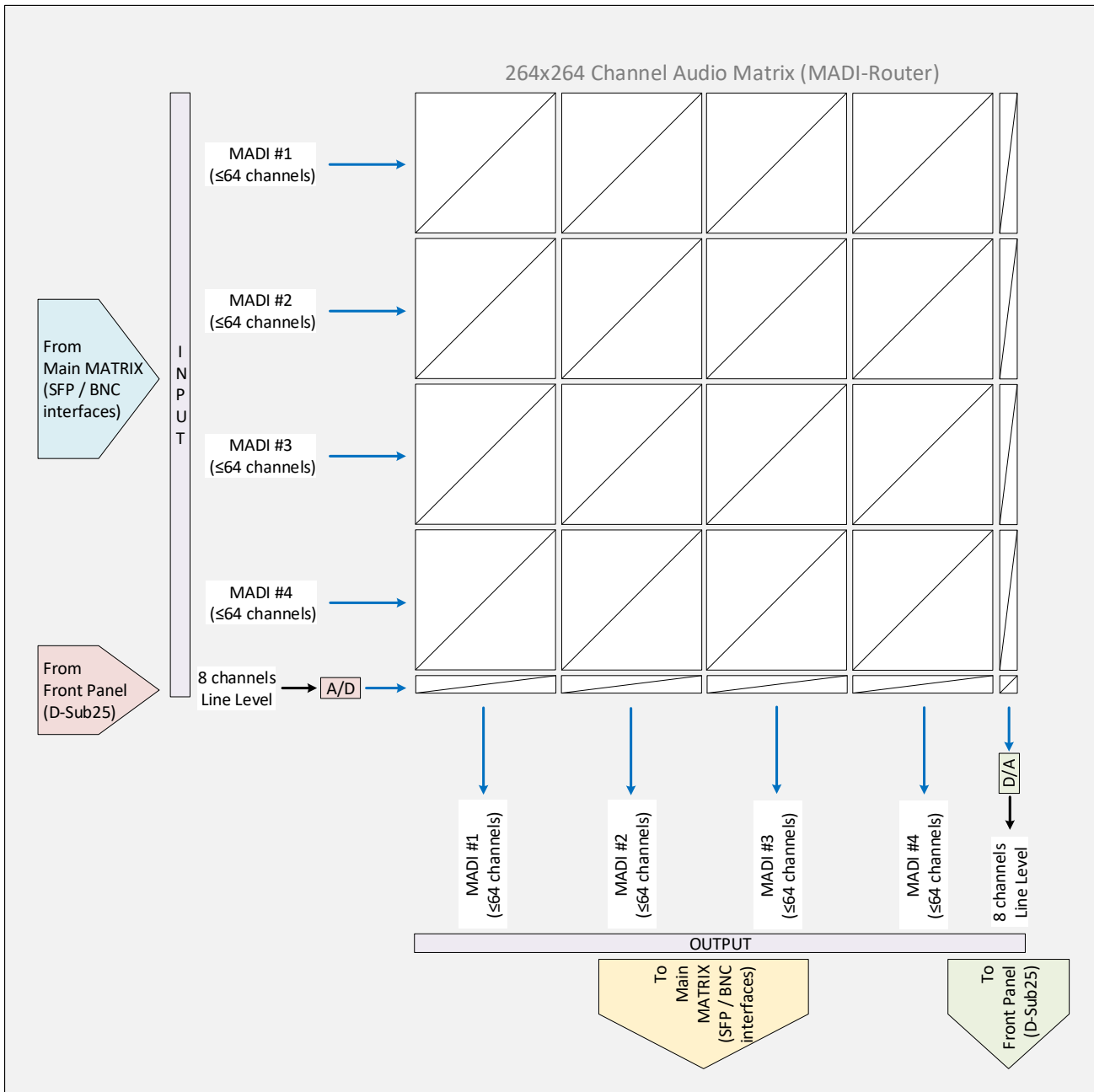
8 channels of digital audio from the 264x264 audio matrix are converted to balanced line level outputs. Output sensitivity of each analog channel can be configured to +18dBu or +24dBu individually.

4 bi-directional MADI streams connect the audio board to BarnOne's main matrix where the user can choose between the hardware interfaces BNC,

optical Multimode SFP, optical Singlemode SFP or optical CWDM SFP. Latter can be used for optical transport along with other signals such as SDI, Ethernet, ASI etc. on a single fiber strand.

Clock source for the audio board can be any of the 4 MADI inputs or the card can clock internally to 44.1kHz or 48kHz. 2FS is supported by the card as well.

Electrical and optical MADI signals are AES10 compliant and can interface to any 3rd party MADI device, e.g. a mixing console or DAW.



Technical Specifications

Internal ports

- 4x MADI (AES10) I/O internally connecting to main matrix
- Sample rate 44.1kHz/48kHz (1FS), 2FS supporting 88.2kHz/96kHz
- Synchronisation to one of the MADI ports or internally 44.1kHz/48kHz

- Single channel routing for all MADI ports and analog I/O

Analog ports

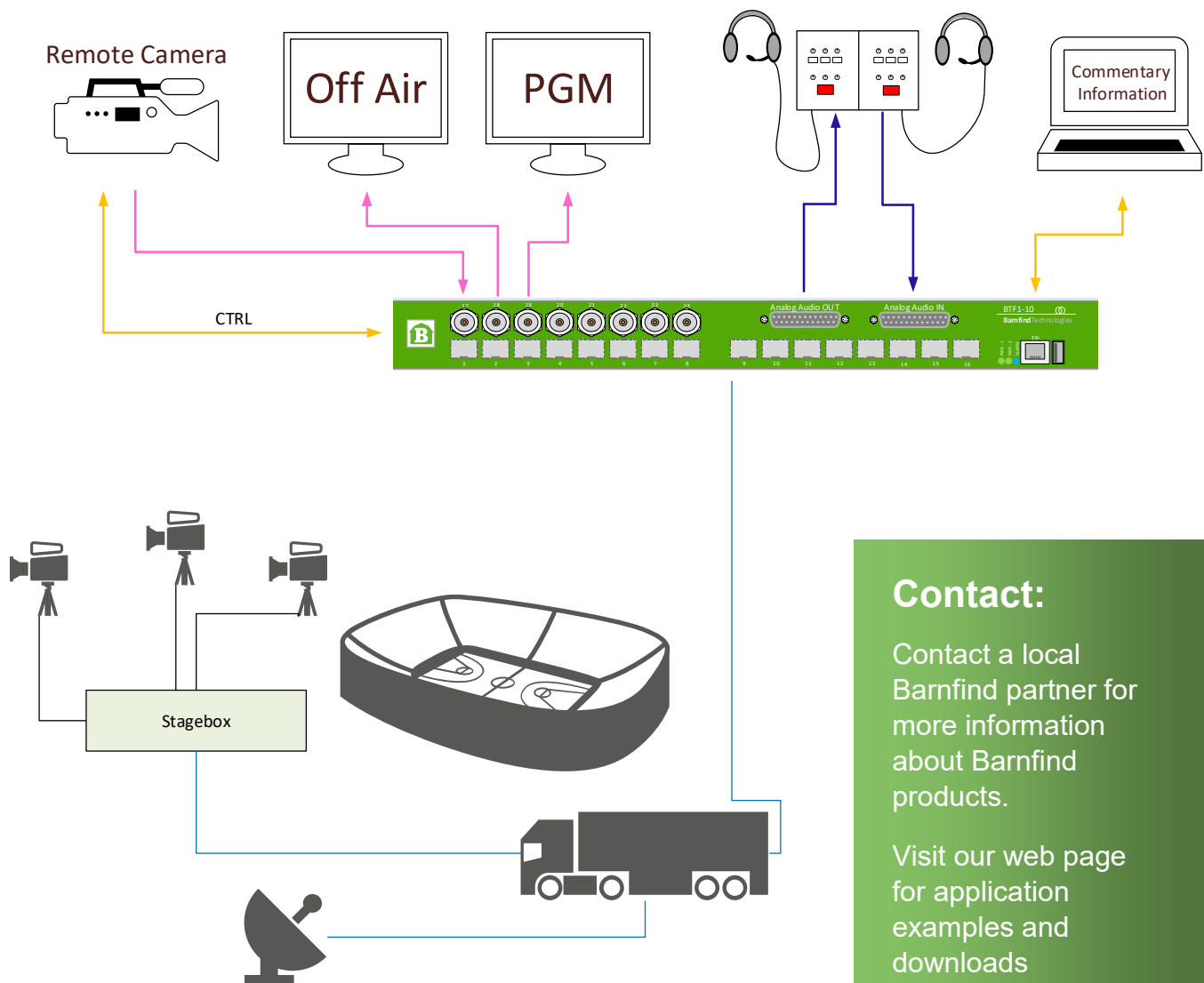
- 8x balanced analog line inputs (DB25), individually configurable +18dBu/+24dBu (default setting: +18dBu)
- 8x balanced analog line outputs (DB25), individually configurable +18dBu/+24dBu (default setting: +18dBu)

A/D converter

- THD -115dB
- SNR -115dB unweighted
- THD+N -108dB

D/A converter

- SNR -115dB
- THD+N -107dB



Contact:

Contact a local Barnfind partner for more information about Barnfind products.

Visit our web page for application examples and downloads

www.barnfind.no

CEO
Wiggo Evensen
mail: wiggo@barnfind.no
Mobile: +47 902 09 379

CTO
Arild Skjeggerud
mail: arild@barnfind.no
Mobile: +47 468 41 376

BTF1-10AA houses all signals for a sports commentator's position in only 1RU:

- PGM and Off Air Displays (SDI or HDMI)
- Commentator's Remote-Camera (SDI and Ctrl. Data)
- Commentary Unit (Analog Audio)
- Commentary Information System/Internet (Ethernet)
- Connect the commentator's position to the OB by only one fiber (optionally a second for redundancy) utilising Barnfind's low loss CWDM multiplexers
- Connect the MAD1 containing the audios from the commentary unit directly to a mixing console or audio matrix in the OB